

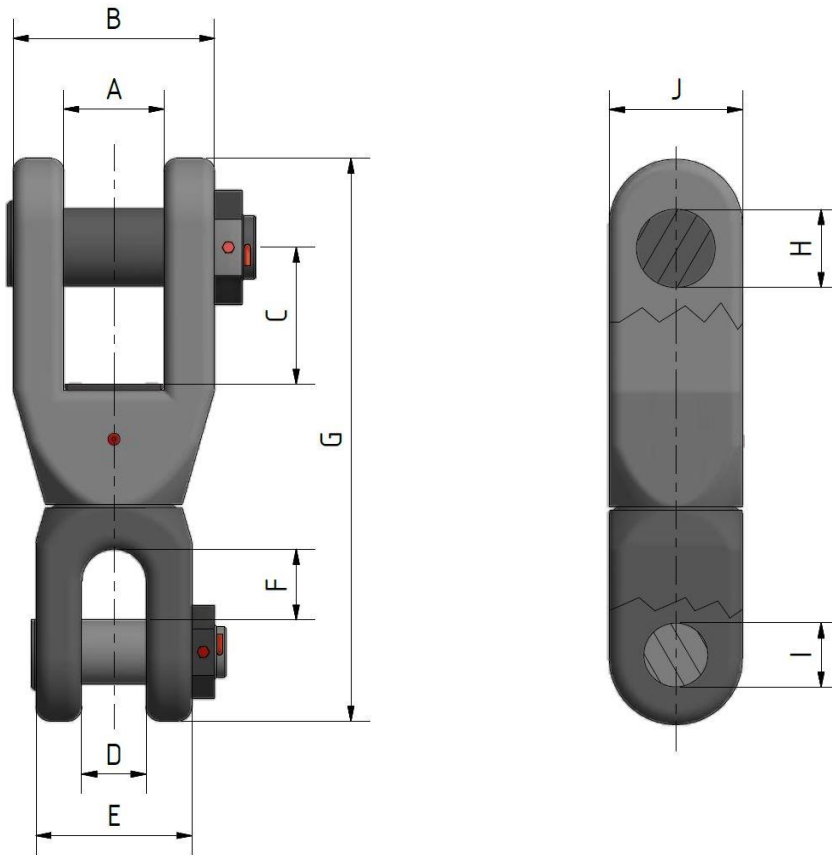
# Swivels



## Superbox Swivel

DNV-GL Type Approved

Offshore accessory to be used for Temporary and Mobile Mooring as defined in DNV-OS-E301, Position Mooring



chain dia.	A	B	C	D	E	F	G	H	I	J
70-76,2	168	337	229	107	261	118	940	130	107	220
82,5-89	196	393	267	125	304	138	1097	151	125	257
94-102	224	451	306	144	349	158	1258	173	143	295
108-114	251	504	342	161	390	177	1406	194	160	329
117-124	273	548	372	175	424	192	1529	211	174	358
126-132	290	583	396	186	451	205	1628	224	185	381



Type approved by: **DNV**  
 Application: **Temporary and Mobile Mooring**  
 Manufactured & Tested: **in Germany by Feubo**  
 Material: **Cast Steel - Grade R3, R3S, R4**  
**Forged Steel - Grade R4S, R5**